

Delivery Specification		No. CNE-NU-40-60E-4	Page 1/5
Part Name Ceramic Ultrasonic Sensor NU40E60TR-4		Shenzhen Jinci Technology Co., Ltd	
		DATE : _____	
TO : _____			
AGENT : _____			

ULTRASONIC TRANSDUCER SPECIFICATION

Shenzhen Jinci Technology Co., Ltd

Address: Block C1201, FuYuan Commerce Trading Center, Baoan Town, Shenzhen, Guangdong China(Mainland)

Telephone: (86 755) 27593409

Fax: (86 755) 27593563

Website: <http://www.jinci.cn>

E-mail: jinyi@jinci.cn

DRAWN BY	CHECKED BY	APPROVED BY

Part Name

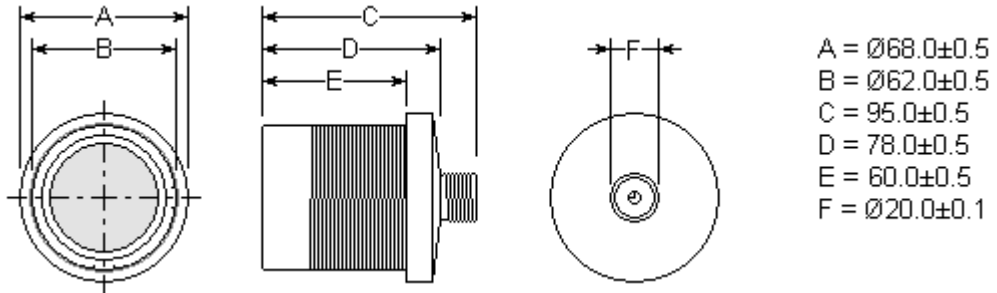
Ceramic Ultrasonic Sensor NU40E60TR-4

Shenzhen Jinci Technology Co., Ltd

1. SCOPE

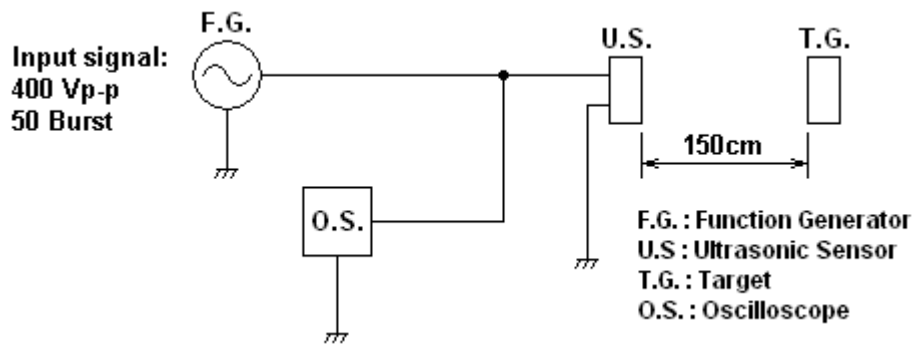
This specification shall cover the characteristics of the ceramic ultrasonic sensor with NU40E60TR-4. NU40E60TR-4 Compatible with transmitting and receiving.

2. OUTLINE DIMENSIONS (UNIT: mm)



3. TEST CIRCUIT

Air test:



Part Name

Ceramic Ultrasonic Sensor NU40E60TR-4

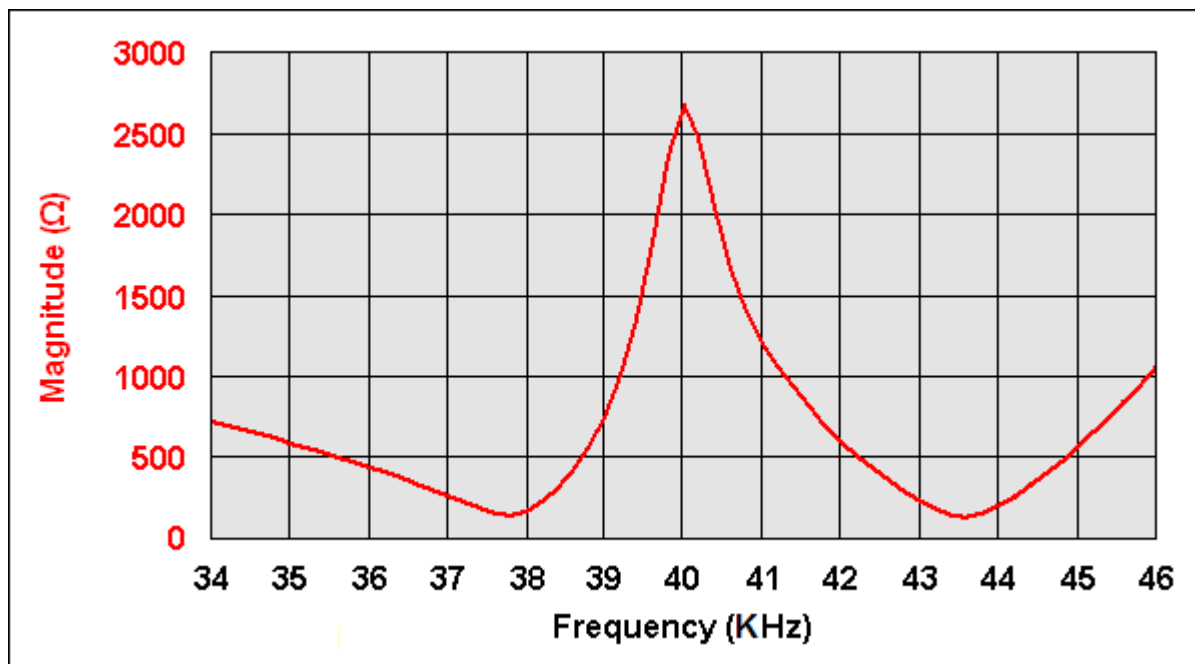
Shenzhen Jinci Technology Co., Ltd

4. CHARACTERISTICS

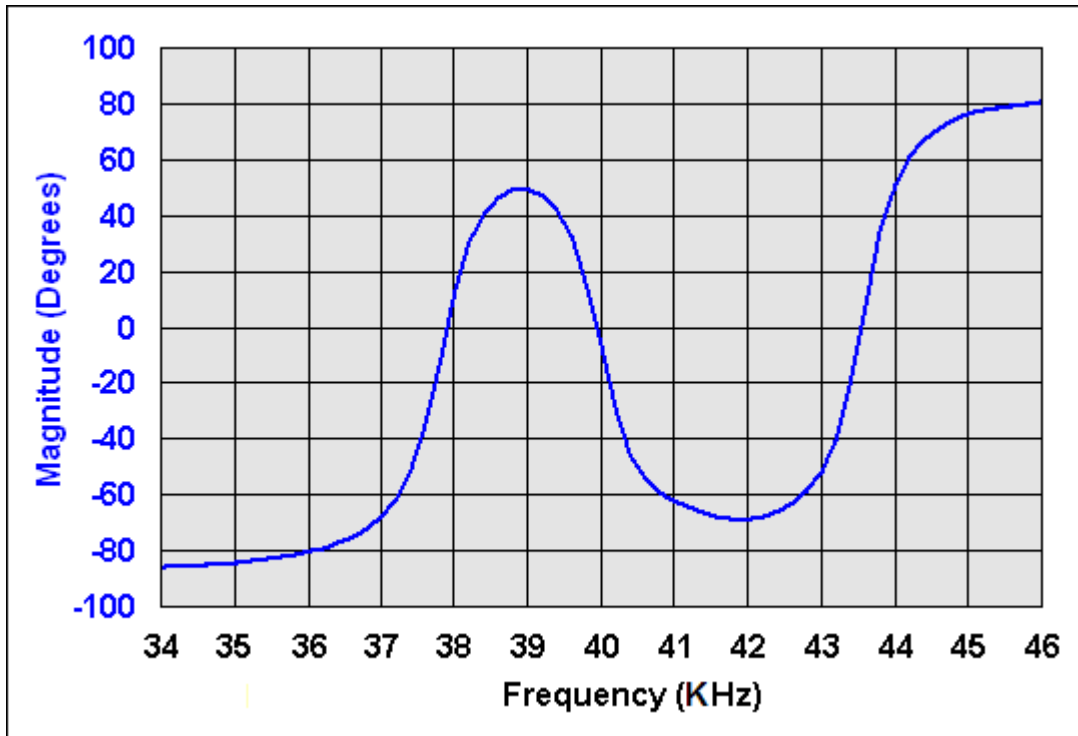
Part number	NU40E60TR-4
Construction	Rugged sealed
Using method	Dual use
Center frequency	40.0±3.0KHz
Band Width	3.0KHz
Echo Sensitivity 0dB = 400Vp-p, 50 Bursts, 150 cm	-76dB min
Min. Parallel Resistance	180Ω±30%
Capacitance	3000Pf±20%
Input Voltage	1800Vp-p (2% duty cycle tone burst)
Directivity (-3dB)	15°±2°
Distance of Detection	0.4~15m (Reflect)
Operating temperature	-20°C~+70°C
Protection class	IP65
Material	ABS

- All specification taken typical at 25°C

5. FREQUENCY / IMPEDANCE

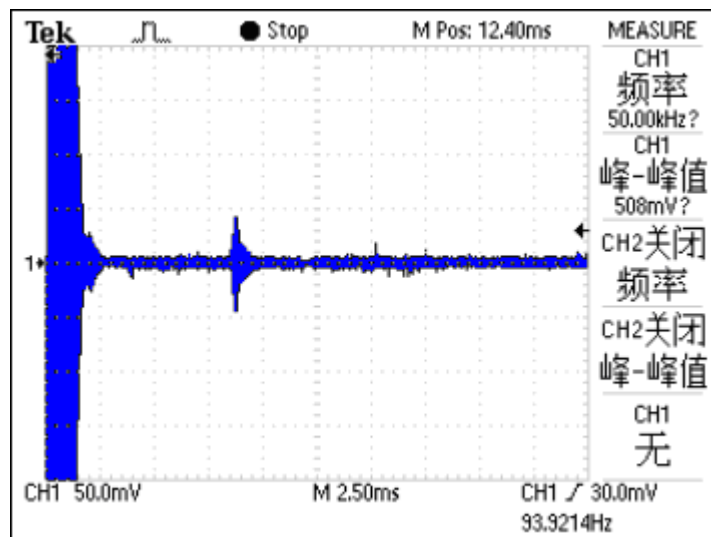


6. FREQUENCY / PHASE ANGLE



6. ECHO SENSITIVITY / RINGING

Tested under 400Vp-p, 50 bursts, 150cm



Part Name

Ceramic Ultrasonic Sensor NU40E60TR-4

Shenzhen Jinci Technology Co., Ltd

7. Beam Angle

